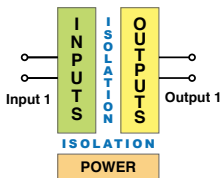




# Leopard TL-ACV-RMS Transmitter / Controller

- ▶ Compact, 22.5mm, DIN Rail Mount Transmitter
- ▶ AC Volts Scaled or True RMS to 4-20mA Transmitter
- ▶ Two optional 6A FormC Relays
- ▶ Triple Isolated: Power to Inputs  
Power to Outputs  
Inputs to Outputs



Power to Inputs  
Power to Outputs  
Inputs to Outputs

**INPUT:**  
 0-150VAC  
 0-300VAC



**Active OUTPUT**  
 4-20mA  
 Isolated  
 0-10V

**SP1**  Optional Relay

**6A Form C Relays**

**SP2**  Optional Relay

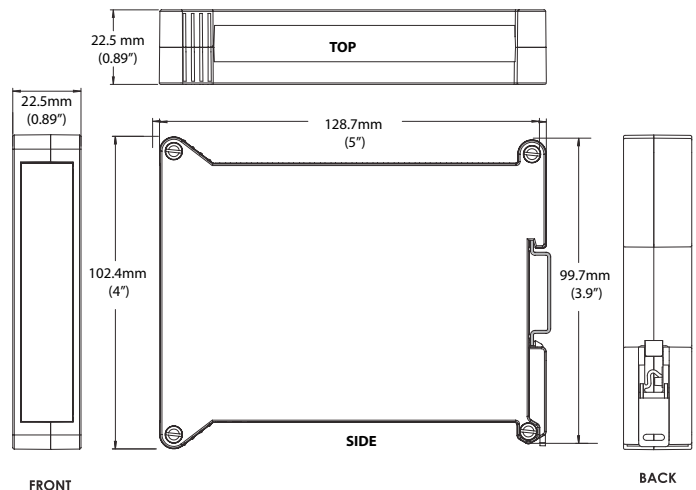


**POWER SUPPLY**  
 15 to 48 VAC 3.5W  
 50-400 Hz  
**PS2**  Fuse Not Replaceable  
 10 to 72 VDC 3.5W  
 85 to 265 VAC 3.5W  
**PS1**  50-400 Hz  
 95 to 300 VDC 3.5W



Optional Remote Display Programmer  
 Needed for Programming Relays

## CASE DIMENSIONS



**TL-ACV-RMS . AC Volts Scaled RMS**  
 ..... AC Volts True RMS

▶ **POWER SUPPLY**

**PS1** ..... 85-265VAC/95-300VDC .....\$0  
**PS2** ..... 15-48VAC/10-72VDC .....optional

▶ **RELAY OUTPUT**

**R11** ..... Single 6A Form C Relay .....optional  
**R12** ..... Dual 6A Form C Relays .....optional

**Short Depth 96x48 Remote Display/Programmer Kit**  
**OP-TL/RDISP** . Remote Display/Programmer  
 w/Cable and Belt clip Carrying Case ..optional



- For ordering info call: 1-800-TEXMATE or 760 598-9899
  - Email: orders@texmate.com • Fax: (760) 598-9828
  - For tech assistance call: (760) 598-9899
- 1934 Kellogg Ave. Carlsbad, CA 92008